

Application and modeling of an online distillation method to reduce krypton and argon in XENON1T

Collaboration XENON, E. Aprile¹, K. Abe², F. Agostini³, S. Ahmed Maouloud⁴, M. Alfonsi⁵, L. Althueser⁶, E. Angelino⁷, J. R. Angevaere⁸, V. C. Antochi⁹, D. Antón Martín¹⁰, F. Arneodo¹¹, L. Baudis¹², A. L. Baxter¹³, L. Bellagamba³, A. Bernard⁴, R. Biondi¹⁴, A. Bismark¹², A. Brown¹⁵, S. Bruenner⁸, G. Bruno^{11,16}, R. Budnik¹⁷, C. Capelli¹², J. M. R. Cardoso¹⁸, D. Cichon¹⁹, B. Cimmino²⁰, M. Clark¹³, A. P. Colijn⁸, J. Conrad⁹, J. J. Cuenca-García²¹, J. P. Cussonneau¹⁶, V. D'Andrea^{14,22}, M. P. Decowski⁸, P. Di Gangi³, S. Di Pede⁸, A. Di Giovanni¹¹, R. Di Stefano²⁰, S. Diglio¹⁶, A. Elykov¹⁵, S. Farrell²³, A. D. Ferella^{14,22}, H. Fischer¹⁵, S. Form¹⁹, W. Fulgione^{7,14}, P. Gaemers⁸, R. Gaior⁴, M. Galloway¹², F. Gao²⁴, R. Glade-Beucke¹⁵, L. Grandi¹⁰, J. Grigat¹⁵, A. Higuera²³, C. Hils⁵, L. Hoetsch¹⁹, J. Howlett¹, C. Huhmann⁶, M. Iacovacci²⁰, Y. Itow²⁵, J. Jakob⁶, F. Joerg¹⁹, A. Joy⁹, N. Kato², P. Kavargin¹⁷, S. Kazama^{25,*}, M. Kobayashi²⁵, G. Koltman¹⁷, A. Kopec^{13,26}, H. Landsman¹⁷, R. F. Lang¹³, L. Levinson¹⁷, S. Li¹³, I. Li²³, S. Liang²³, S. Lindemann¹⁵, M. Lindner¹⁹, K. Liu²⁴, F. Lombardi^{5,18}, J. Long¹⁰, J. A. M. Lopes^{18,†}, Y. Ma²⁶, C. Macolino^{14,22}, J. Mahlstedt⁹, A. Mancuso³, L. Manenti¹¹, A. Manfredini¹², F. Marignetti²⁰, T. Marrodán Undagoitia¹⁹, K. Martens², J. Masbou¹⁶, D. Masson¹⁵, E. Masson⁴, S. Mastroianni²⁰, M. Messina¹⁴, K. Miuchi²⁷, K. Mizukoshi²⁷, A. Molinaro¹⁴, S. Moriyama², K. Morá¹, Y. Mosbacher¹⁷, M. Murra^{1,6,*}, J. Müller¹⁵, K. Ni²⁶, U. Oberlack⁵, B. Paetsch¹⁷, J. Palacio¹⁹, R. Peres¹², J. Pienaar¹⁰, M. Pierre¹⁶, V. Pizzella¹⁹, G. Plante¹, J. Qi²⁶, J. Qin¹³, D. Ramírez García¹⁵, S. Reichard²¹, A. Rocchetti¹⁵, N. Rupp¹⁹, L. Sanchez²³, J. M. F. dos Santos¹⁸, G. Sartorelli³, J. Schreiner¹⁹, D. Schulte⁶, H. Schulze Eißing⁶, M. Schumann¹⁵, L. Scotto Lavina⁴, M. Selvi³, F. Semeria³, P. Shagin^{5,23}, E. Shockley²⁶, M. Silva¹⁸, H. Simgen¹⁹, A. Takeda², P.-L. Tan⁹, A. Terliuk¹⁹, D. Thers¹⁶, F. Toschi¹⁵, G. Trinchero⁷, C. Tunnell²³, F. Tönnies¹⁵, K. Valerius²¹, G. Volta¹², Y. Wei²⁶, C. Weinheimer⁶, M. Weiss¹⁷, D. Wenz⁵, C. Wittweg¹², T. Wolf¹⁹, Z. Xu¹, M. Yamashita², L. Yang²⁶, J. Ye¹, L. Yuan¹⁰, G. Zavattini^{3,‡}, Y. Zhang¹, M. Zhong²⁶, T. Zhu¹

¹Physics Department, Columbia University, New York, NY 10027, USA

²Kamioka Observatory, Institute for Cosmic Ray Research, and Kavli Institute for the Physics and Mathematics of the Universe (WPI), University of Tokyo, Higashi-Mozumi, Kamioka, Hida, Gifu 506-1205, Japan

³Department of Physics and Astronomy, University of Bologna and INFN-Bologna, 40126 Bologna, Italy

⁴LPNHE, Sorbonne Université, Université de Paris, CNRS/IN2P3, 75005 Paris, France

⁵Institut für Physik & Exzellenzcluster PRISMA⁺, Johannes Gutenberg-Universität Mainz, 55099 Mainz, Germany

⁶Institut für Kernphysik, Westfälische Wilhelms-Universität Münster, 48149 Münster, Germany

⁷INAF-Astrophysical Observatory of Torino, Department of Physics, University of Torino and INFN-Torino, 10125 Torino, Italy

⁸Nikhef and the University of Amsterdam, Science Park, 1098XG Amsterdam, Netherlands

⁹Oskar Klein Centre, Department of Physics, Stockholm University, AlbaNova, Stockholm SE-10691, Sweden

- ¹⁰*Department of Physics & Kavli Institute for Cosmological Physics, University of Chicago, Chicago, IL 60637, USA*
- ¹¹*New York University Abu Dhabi – Center for Astro, Particle and Planetary Physics, Abu Dhabi, United Arab Emirates*
- ¹²*Physik-Institut, University of Zürich, 8057 Zürich, Switzerland*
- ¹³*Department of Physics and Astronomy, Purdue University, West Lafayette, IN 47907, USA*
- ¹⁴*INFN-Laboratori Nazionali del Gran Sasso and Gran Sasso Science Institute, 67100 L'Aquila, Italy*
- ¹⁵*Physikalisches Institut, Universität Freiburg, 79104 Freiburg, Germany*
- ¹⁶*SUBATECH, IMT Atlantique, CNRS/IN2P3, Université de Nantes, Nantes 44307, France*
- ¹⁷*Department of Particle Physics and Astrophysics, Weizmann Institute of Science, Rehovot 7610001, Israel*
- ¹⁸*LIBPhys, Department of Physics, University of Coimbra, 3004-516 Coimbra, Portugal*
- ¹⁹*Max-Planck-Institut für Kernphysik, 69117 Heidelberg, Germany*
- ²⁰*Department of Physics “Ettore Pancini,” University of Napoli and INFN-Napoli, 80126 Napoli, Italy*
- ²¹*Institute for Astroparticle Physics, Karlsruhe Institute of Technology, 76021 Karlsruhe, Germany*
- ²²*Department of Physics and Chemistry, University of L'Aquila, 67100 L'Aquila, Italy*
- ²³*Department of Physics and Astronomy, Rice University, Houston, TX 77005, USA*
- ²⁴*Department of Physics & Center for High Energy Physics, Tsinghua University, Beijing 100084, China*
- ²⁵*Kobayashi-Maskawa Institute for the Origin of Particles and the Universe, and Institute for Space-Earth Environmental Research, Nagoya University, Furo-cho, Chikusa-ku, Nagoya, Aichi 464-8602, Japan*
- ²⁶*Department of Physics, University of California San Diego, La Jolla, CA 92093, USA*
- ²⁷*Department of Physics, Kobe University, Kobe, Hyogo 657-8501, Japan*

*E-mail: michael.murra@columbia.edu

*Also at Institute for Advanced Research, Nagoya University, Nagoya, Aichi 464-8601, Japan.

†Also at Coimbra Polytechnic – ISEC, 3030-199 Coimbra, Portugal.

‡Also at INFN, Sez. di Ferrara and Dip. di Fisica e Scienze della Terra, Università di Ferrara, via G. Saragat 1, Edificio C, I-44122 Ferrara (FE), Italy.

Received January 28, 2022; Revised April 7, 2022; Accepted April 18, 2022; Published April 29, 2022

.....

A novel online distillation technique was developed for the XENON1T dark matter experiment to reduce intrinsic background components more volatile than xenon, such as krypton or argon, while the detector was operating. The method is based on a continuous purification of the gaseous volume of the detector system using the XENON1T cryogenic distillation column. A krypton-in-xenon concentration of (360 ± 60) ppq was achieved. It is the lowest concentration measured in the fiducial volume of an operating dark matter detector to date. A model was developed and fitted to the data to describe the krypton evolution in the liquid and gas volumes of the detector system for several operation modes over the time span of 550 days, including the commissioning and science runs of XENON1T. The online distillation was also successfully applied to remove ^{37}Ar after its injection for a low-energy calibration in XENON1T. This makes the usage of ^{37}Ar as a regular calibration source possible in the future. The online distillation can be applied to next-generation liquid xenon time projection chamber experiments to remove krypton prior to, or during, any science run. The model developed here allows further optimization of the distillation strategy for future large-scale detectors.

.....

Subject Index C43, F40, H20, H54

1. Introduction

Intrinsic radioactive noble gas contaminants such as ^{85}Kr and ^{222}Rn are the main contributors to the background in today's large-scale liquid-xenon-based dark matter experiments [1–5], as well as neutrinoless double beta decay experiments [6,7]. Their removal is of crucial importance for reaching the target sensitivities with growing demands on lowering backgrounds. A well-

established technology for this removal is the application of cryogenic distillation columns that employ the differences in vapor pressure between the contaminant and xenon. More volatile components such as krypton are enriched in the gaseous xenon (GXe) phase, while less volatile constituents such as radon accumulate in the liquid xenon (LXe) [8–12].

The isotope ^{85}Kr is a β -emitter with an endpoint energy of 687 keV and a half-life of 10.76 yr. It is anthropogenically produced in uranium and plutonium fission and is released in the atmosphere by nuclear weapon tests and nuclear reprocessing plants. The abundance of ^{85}Kr in natural krypton is typically reported to be $^{85}\text{Kr}/^{\text{nat}}\text{Kr} \sim 10^{-11}$ [13]. Since xenon is extracted from air by fractional distillation, a small portion of natural krypton is contained within the xenon, typically at the level of ppm (1×10^{-6} mol/mol). Xenon with a lower krypton concentration ($^{\text{nat}}\text{Kr}/\text{Xe} \sim 10$ ppb (1×10^{-9} mol/mol)) can be purchased from industrial vendors. Current and future dark matter experiments require natural krypton-in-xenon concentrations at the ppt (1×10^{-12} mol/mol) level or below [2]. Typically, it is assumed that the release of krypton from the detector components is negligible. Therefore, it needs to be removed from the xenon just once before the dark matter search. This removal is conventionally done by offline distillation or gas chromatography campaigns [3,14] before the start of an experiment, where both technologies are able to reach the required purity.

In the case of the XENON1T experiment, the detector was initially filled with about 3.2 tonnes of xenon without offline krypton removal. After the verification of the liquid xenon time projection chamber (LXe TPC) functionality, a novel online krypton distillation technique was developed using the existing XENON1T distillation column [10] to reduce the krypton-in-xenon concentration while the detector was operated.

The same online distillation technique was applied to remove the more volatile noble gas argon from xenon. The radioactive isotope ^{37}Ar was introduced into the XENON1T detector just before decommissioning for calibration purposes (E. Aprile et al. [XENON Collaboration], in preparation). Its decay via electron capture allowed the study of the detector response at low energies of 2.8 keV for K-shell and 0.27 keV for L-shell transitions [15]. However, its half-life of 35.01 d is too long for it to decay away in the scope of a dark matter search. Regular use is possible through the active removal of the residual argon after the calibration via the online distillation of volatile impurities.

The aforementioned new online distillation technique for argon and krypton is presented in this paper. In Sect. 2, the XENON1T detector system is summarized with a focus on the systems involved in the online distillation. In Sect. 3, a model is introduced to describe the concentration evolution of the more volatile noble gases in the gaseous and liquid xenon volumes of the detector for each operation mode. Section 4 describes the fit of the model to the krypton data obtained from the event rate inside the LXe TPC itself, as well as from extracted xenon samples. Furthermore, the online removal of ^{37}Ar is presented in Sect. 5. Section 6 gives our conclusion and an outline for possible future applications of the newly developed method.

2. Experimental setup

The XENON1T experiment (decommissioned in December 2018) was located underground in the Laboratori Nazionali del Gran Sasso (LNGS), Italy, and utilized a total of 3.2 tonnes of xenon. The LXe TPC inside the cryostat enclosed about 2 tonnes, while the surrounding 1.2 tonnes were employed as a passive shield. The cryostat was placed inside a 10 m wide and 10 m tall water tank equipped with an active Cherenkov muon veto system [16], in order to shield

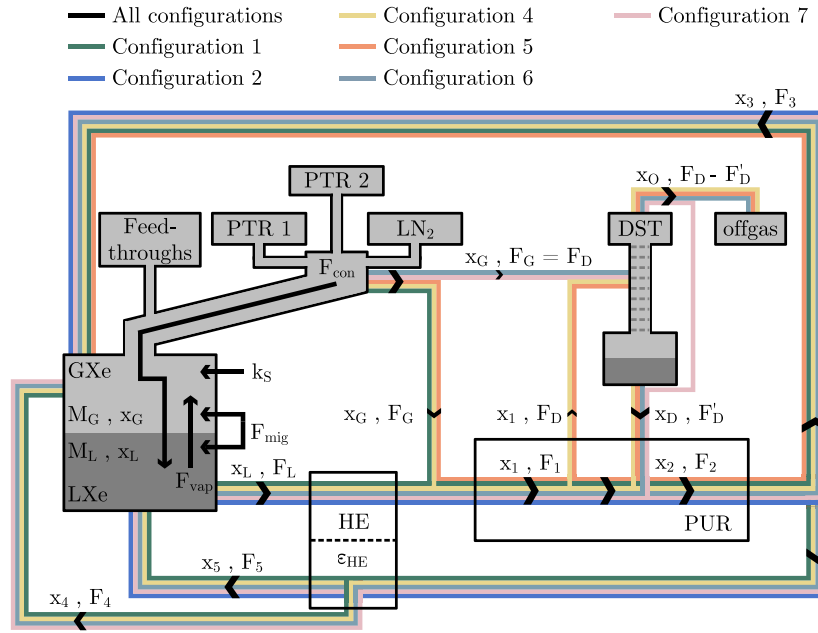


Fig. 1. Online distillation scheme. The liquid (gaseous) xenon phase LXe (GXe) in the cryostat contains the mass M_L (M_G) and a solute concentration of x_L (x_G). Different concentrations in different locations are denoted as x_i with their respective xenon mass flow F_i . A constant solute particle flow k_S enters the GXe volume to account for potential internal out-gassing or external leaks. The global flow path depends on the detector configuration applied, as indicated by the different colored lines. The details for each configuration are explained in Sect. 3 and are summarized in Table 1. In Configuration 4 (gold), as an example, xenon is extracted from the LXe volume with (x_L, F_L) and from the GXe with (x_G, F_G) . The two flows mix at the PUR inlet into (x_1, F_1) . A fraction (x_1, F_D) is distilled with the DST system and is returned with (x_D, F'_D) mixing back into (x_2, F_2) with a lower solute concentration. From there, the flow is split and a fraction (x_3, F_3) returns directly into the GXe volume. The remaining flow goes into the HE, where the xenon is partially liquified due to the limited HE efficiency ϵ_{HE} , and a flow (x_5, F_5) goes into the LXe volume. The flow (x_4, F_4) stays gaseous and returns to the GXe volume. Note that in Configuration 3 only the black lines are relevant as no xenon is extracted for purification.

against environmental radioactivity and remaining cosmic radiation. A service building next to the water tank hosted a cryogenic distillation column (DST), a purification (PUR) system, and a cryogenic (CRY) system, the relevant systems for this work. A complete overview of the different subsystems is given in Ref. [1].

The CRY system consists of three independent condensation towers, as depicted in Fig. 1, two equipped with redundant pulse tube refrigerators (PTRs) and one with liquid nitrogen (LN_2) cooling as backup. The system keeps the xenon temperature constant during data taking. A double-walled vacuum insulated tube (cryopipe) connects the CRY system to the cryostat to carry LXe to the cryostat after re-condensation. LXe is extracted and evaporated from the cryostat via a tube-in-tube heat exchanger inside the cryopipe; the GXe produced is further warmed up with the help of two parallel-plate heat exchangers installed in series. For simplicity, the series of heat exchangers is treated as one heat exchanger, referred to as HE. The HE outlet is subsequently guided to the PUR system. Most of the purified GXe returns to the other side of this HE to liquify the xenon again and feed it back into the detector. A small gas fraction is guided directly into a diving bell system (omitted in Fig. 1) to regulate the liquid level inside the LXe TPC. Additionally, for purification purposes it is possible to extract a fraction of the evap-

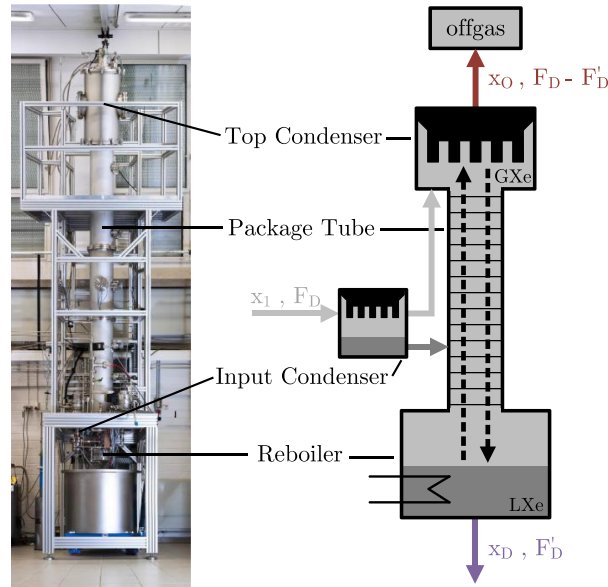


Fig. 2. (Left) Distillation column at the University of Münster before shipment to LNGS. (Right) The distillation process showing the in-coming and out-going krypton concentrations x_i and xenon flows F_i as described in the text.

orating xenon from the cryostat at three different locations of the CRY system (feedthroughs, cryopipe, condensers) and send it to either the DST or the PUR system before re-condensation.

The PUR system continuously recirculates xenon extracted from the CRY system to remove electronegative impurities such as water and oxygen. These impurities can potentially suppress the light and charge signals in the LXe TPC. The PUR system is divided into two branches, each consisting of a high-purity pump, a flow controller, and a gas purifier. Furthermore, the PUR system acts as a xenon gas distributor between different subsystems. For a clearer visualization, the PUR system in Fig. 1 shows only the distribution lines relevant for this work. The DST system, designed to remove krypton from xenon, consists of four key components, namely an input condenser, a package tube, a reboiler, and a top condenser. The scheme is shown in Fig. 2 along with a picture of the set-up in the University of Münster before shipment to LNGS. The xenon enters the DST system with a krypton concentration x_1 and flow F_D , and is partially liquified in the input condenser. From there, GXe and LXe are fed into the package tube at different heights. The reboiler at the bottom contains a liquid xenon volume that is partially evaporated, while the top condenser liquifies the up-going xenon gas again. In this manner, a counter-flow of up-going GXe and down-going LXe is established along the surface of the package tube, so that gases more volatile than xenon, such as argon or krypton, are enriched at the top and depleted at the bottom. Here, ultra-pure xenon with a krypton concentration x_D can be extracted with a flow F'_D , typically about 99% of the feed flow F_D . At the top, a small xenon fraction of 1% of F_D is extracted as krypton-enriched xenon offgas ($x_O, F_D - F'_D$) and is stored in bottles. The offgas is collected and distilled again in dedicated campaigns to minimize the xenon losses. The DST system's performance was determined by extracting samples during offline distillation campaigns, where xenon from bottles was distilled and filled into the XENON1T storage system at the process speed of 72 kg/d. In one campaign, three bottles were measured with a commercial gas-chromatograph yielding an average concentration of (453 ± 53) ppb. For a fourth bottle, a certificate from the delivering company stated

a concentration of less than 1000 ppb of krypton. The purified outlet sample was measured to have a concentration of (730 ± 140) ppq measured from an extracted sample at the PUR system. Assuming a uniform probability for the unknown concentration of the fourth bottle between 0 and 1000 ppb, the reduction factor is $(6.4^{+1.9}_{-1.4}) \times 10^5$ between feed and bottom product. Absolute concentrations $x_D = {}^{\text{nat}}\text{Kr}/\text{Xe} < 48$ ppq (1×10^{-15} mol/mol) (90% C.L.) were measured directly at the DST system's outlet when distilling xenon with input concentrations of about 50 ppb during further offline distillation runs. All the details are presented in Ref. [10].

For the online distillation method, the cryostat in combination with the CRY system is assumed to be a distillation-column-like system with an enrichment of more volatile noble gas species in the detector's GXe volume with respect to the LXe volume. In the following section, the online distillation method is explained for the case of krypton, although the method is applicable analogously to any noble gas species more volatile than xenon. The concept is based on the continuous purification of the GXe volume by the distillation column. This can be achieved by extracting the krypton-enriched xenon gas via the ports of the CRY system mentioned above. The krypton-free xenon from the DST system outlet returns to the PUR system, and from there, back into the detector. This operation disturbs the krypton particle equilibrium between the LXe and GXe volumes, as the GXe volume now features a lower krypton concentration. As a consequence, krypton particles from the LXe volume migrate toward the GXe volume, where they are removed again. Thus, a continuous krypton migration from the LXe to the GXe volume is established. In this way, the total xenon inventory of about 3.2 tonnes can be purified by continuously processing about 20 kg occupying the GXe volume.

3. Online distillation model

In this section, an online distillation model is derived in order to describe the krypton concentration evolution in the GXe as well as in the LXe volume inside the detector over time. This paper covers a time span of 550 days from August 2016 to February 2018, including the commissioning phase, the first (SR0), and the second science run (SR1) of XENON1T [17]. For the online distillation model, the in-going and out-going krypton flows in both volumes are taken into account, leading to a coupled differential equation system for a given detector configuration. The model can be analogously applied for the removal of any noble gas species more volatile than xenon, e.g. for the removal of argon. Therefore, the more general terminology *solute concentration* is used in the following.

The PUR system continuously removes electronegative impurities from the LXe and GXe volumes during a background or a calibration run. The solute transport in the global system is derived based on this main operation. In the ideal case, the cryostat in Fig. 1 can be simplified as a static LXe volume with mass M_L and solute concentration x_L , with a GXe volume above with mass M_G and solute concentration x_G . It is assumed that the solute in each volume is homogeneously distributed at all times. At equilibrium, the more volatile solute is enriched in the GXe. This enrichment can be described by the relative volatility α , derived from Raoult's law [18], which is defined as the ratio between the vapor pressure of the noble gas solute P_S and that of xenon P_{Xe} ,

$$\alpha = \frac{P_S}{P_{\text{Xe}}}. \quad (1)$$

From Eq. (1) the concentration x_G in the GXe volume can be related to the concentration x_L in the LXe volume at equilibrium. For low solute concentrations ($\mathcal{O}(\text{ppb})$ and below) the

following relation holds:

$$x_G = \frac{\alpha x_L}{1 + (\alpha - 1) x_L} \approx \alpha x_L, \quad (2)$$

where it is assumed that $x_L(\alpha - 1) \ll 1$.

Away from equilibrium, solute particles can migrate from the liquid into the gas until Eq. (2) is satisfied. This effect is introduced to the model via a migration term with a migration flow F_{mig} in units of a xenon mass flow; this is added in Eqs. (6) and (7) describing the full model. More details on the migration term are given in Ref. [19].

In reality, the system is not static as xenon evaporates with a mass flow F_{vap} in the cryostat due to the external heat input. This xenon needs to be re-condensed with a mass flow F_{con} with the help of one of the PTRs, as shown in Fig. 1. It is possible that these two flows of xenon transport the solute between the two phases in the LXe TPC, but our data is not sensitive to the magnitude of this effect due to its degeneracy with F_{mig} and other free parameters of the model. In this model, evaporating xenon carries a solute concentration (αx_L), and condensing xenon at the PTR coldfinger carries a solute concentration ($\frac{x_G}{\alpha}$). This implies that the cryostat in combination with the CRY system acts as a distillation-column-like system with up to two distillation stages. This is further discussed in Sect. 3.3 for Configuration 3. Xenon from the GXe volume with a solute concentration x_G is extracted from the CRY system and guided to the PUR system with a mass flow F_G . From the LXe volume, xenon with a solute concentration x_L is extracted and evaporated at a mass flow F_L through the HE. It is assumed that the solute concentration in the extracted xenon remains constant, as this is a pressure-driven flow, and that the solute concentration in general is independent of pressure changes in the flow path. Both xenon streams from the GXe and LXe volumes mix at the PUR system's inlet. The concentration x_1 in the summed mass flow $F_1 = F_G + F_L$ can be written as

$$x_1 = \frac{F_G}{F_1} x_G + \frac{F_L}{F_1} x_L. \quad (3)$$

At the PUR outlet, the solute particle flow ($x_2 F_2$) splits again. A solute particle flow ($x_3 F_3$) returns into the GXe volume, while a small fraction of this flow is guided directly into the bell to stabilize the LXe TPC liquid level. In this model, the gaseous bell volume is not separated from the rest of the GXe volume, as both are assumed to be in good contact, allowing for fast mixing. Thus, the bell is omitted in Fig. 1. The remaining solute flow ($x_2(F_2 - F_3)$) flows into the HE for liquifaction. Due to its limited efficiency of $\epsilon_{\text{HE}} < 1$, the in-going flow is divided into a solute particle flow ($x_4 F_4$) guided into the GXe and a solute particle flow ($x_5 F_5$) added to the LXe volume. The solute concentration x_4 should be larger than x_5 , scaling with an enrichment factor α_{HE} of the size of the relative volatility α or even larger: $x_4 = \alpha_{\text{HE}} x_5$. The respective xenon mass flows can be calculated to be $F_5 = \epsilon_{\text{HE}}(F_2 - F_3)$ and $F_4 = (1 - \epsilon_{\text{HE}})(F_2 - F_3)$. Hence, the two solute particle flows to the GXe and LXe volumes can be written as

$$x_4 F_4 = \frac{\alpha_{\text{HE}} x_2}{\epsilon_{\text{HE}} + \alpha_{\text{HE}}(1 - \epsilon_{\text{HE}})} (1 - \epsilon_{\text{HE}}) (F_2 - F_3), \quad (4)$$

$$x_5 F_5 = \frac{x_2}{\epsilon_{\text{HE}} + \alpha_{\text{HE}}(1 - \epsilon_{\text{HE}})} \epsilon_{\text{HE}} (F_2 - F_3). \quad (5)$$

The solute potentially enters the closed system either due to microscopic leaks in the global system or out-gassing from materials. Since the two phenomena cannot be distinguished, a single source parameter is introduced to the model as a constant solute particle flow k_S entering the GXe volume as indicated in Fig. 1.

Table 1. Description of the detector configurations. The terms (I), (II), and (III) in Eqs. (6) and (7) are present for all configurations, and thus omitted here.

Name	Description	dx_G/dt				dx_L/dt	
		IV	V	VI	VII	IV	V
C1	Standard purification without distillation	✓	✓	✓	✓	✓	✓
C2	Evaporated-liquid-only purification without distillation	×	✓	×	✓	✓	✓
C3	No circulation	×	×	×	×	×	×
C4	Standard purification with distillation	✓	✓	✓	✓	✓	✓
C5	Purification and distillation of gas volume alone	✓	✓	×	✓	×	×
C6	Standard purification with upgraded gas-volume-only distillation	✓	✓	✓	✓	✓	✓
C7	Standard purification with upgraded gas-volume-only radon distillation	✓	✓	✓	✓	✓	✓

Combining all the effects, the solute concentration change over time dx_G/dt in the GXe and dx_L/dt in the LXe volumes can be described by the following set of differential equations:

$$M_G \frac{dx_G}{dt} = \underbrace{+[\alpha x_L - x_G] F_{\text{mig}}}_{\text{(I) migration}} - \underbrace{\frac{x_G}{\alpha} F_{\text{con}}}_{\text{(II) condensation}} + \underbrace{+\alpha x_L F_{\text{vap}}}_{\text{(III) evaporation}} - \underbrace{x_G F_G}_{\text{(IV) extraction}} + \underbrace{x_3 F_3}_{\text{(V) return}} + \underbrace{+x_4 F_4}_{\text{(VI) return HE}} + \underbrace{+k_S}_{\text{(VII) source}}, \quad (6)$$

$$M_L \frac{dx_L}{dt} = -\underbrace{[\alpha x_L - x_G] F_{\text{mig}}}_{\text{(I) migration}} + \underbrace{\frac{x_G}{\alpha} F_{\text{con}}}_{\text{(II) condensation}} - \underbrace{\alpha x_L F_{\text{vap}}}_{\text{(III) evaporation}} - \underbrace{x_L F_L}_{\text{(IV) extraction}} + \underbrace{+x_5 F_5}_{\text{(V) return HE}}. \quad (7)$$

In both equations, the term (I) corresponds to the migration (gas-phase enhancement at equilibrium), the term (II) to the condensation, and the term (III) to the evaporation. For the GXe volume, the additional terms are the gas extraction (IV), the directly returning gas (V), the additional returning gas from the HE (VI), and the constant source term (VII). For the LXe volume, further terms are the extraction (IV) and the liquid returning from the HE (V). Each solute particle flow is divided by the respective mass of the volume to model a change in the solute concentration rather than in the number of solute particles. Furthermore, the sign of each term indicates whether the solute is leaving (−) or entering (+) a volume.

One additional remark is that the LXe TPC measures the decay of ^{85}Kr particles, while the other methods, presented in Sect. 4, determine the $^{\text{nat}}\text{Kr}$ content within the samples. At 10.76 yr, the half-life of ^{85}Kr is much longer than the time period investigated here. Thus, a krypton removal term due to its decay can be neglected for the differential equations.

During the time period that this paper concerns, the GXe circulation loop of XENON1T, comprising the PUR and DST subsystems, was operated in seven distinct configurations. The set of differential equations describing the solute transport must be tailored for a given configuration. For each configuration, Table 1 shows the terms in Eqs. (6) and (7) that are included, and Fig. 1 shows the corresponding flow path. In the following, each configuration is briefly explained.

3.1 Configuration 1: Standard purification without distillation

Some simplifications can be made for this configuration. The two branches of the PUR system are equipped with heated getters. While electronegative impurities are efficiently removed, noble gases pass through these getters unaffected. Therefore, the inlet and outlet of the PUR system feature the same flow and solute concentration, $F_2 = F_1$ and $x_2 = x_1$, implying that $x_3 = x_1$. Additionally, the directly returning flow to the GXe volume is $F_3 = F_G$ by the design of the system. This leads to $(F_2 - F_3) = F_L$ for the flow to the HE. Due to its limited efficiency, more gas goes back to the GXe volume than is extracted. In order to keep the masses in the LXe and GXe volume constant, the condensation flow F_{con} needs to be larger than the evaporated flow F_{vap} in this configuration, giving

$$F_{\text{con}} = F_{\text{vap}} + (1 - \epsilon_{\text{HE}}) F_L. \quad (8)$$

3.2 Configuration 2: Evaporated-liquid-only purification without distillation

In this configuration, xenon is extracted and subsequently evaporated only from the LXe volume with a concentration x_L at a flow F_L , and thus $F_G = 0$. This allows the extraction of xenon samples at the PUR system with the concentration x_L and gives direct insight to the krypton inside the LXe volume.

In the PUR system the mass flows are given by $F_2 = F_1 = F_L$. At the PUR outlet, the flow back to the GXe volume is F_3 , where in this case it is equal to the flow going directly into the bell, and therefore lower than in other configurations. For the different concentrations, $x_3 = x_2 = x_1 = x_L$ holds true. The remaining flow of $(F_L - F_3)$ enters the HE. As a flow F_L is extracted through the HE from the LXe volume, the HE can liquify a returning xenon flow equal to $\epsilon_{\text{HE}} F_L$. This implies that

$$(F_L - F_3) \lesssim \epsilon_{\text{HE}} F_L. \quad (9)$$

Therefore, the assumption is made that the complete flow can be liquified and returns into the LXe volume,

$$x_4 F_4 = 0, \quad (10)$$

$$x_5 F_5 = x_L (F_L - F_3). \quad (11)$$

Based on that, the condensation flow in the CRY system needs to be

$$F_{\text{con}} = F_{\text{vap}} + F_3. \quad (12)$$

The coupled differential equation system for this mode can be achieved by inserting the above information into Eqs. (6) and (7). For the GXe volume, the terms for gas extraction (IV) as well as for the additional gas return from HE (VI) are not present.

3.3 Configuration 3: No circulation

In this configuration, e.g. during maintenance work on the PUR system, no xenon leaves or enters the detector system ($F_G = F_L = 0$). Thus, Eqs. (6) and (7) are reduced to the migration (I), condensation (II), and evaporation (III) terms. The solute distribution between the GXe and LXe volume for the equilibrium case ($\frac{dx_G}{dt} = \frac{dx_L}{dt} = 0$) can be investigated. By neglecting the source (VII) term, and with equal evaporation and condensation flows ($F_{\text{vap}} = F_{\text{con}}$) based

on Eq. (6), it follows that

$$x_G = \alpha \frac{(F_{\text{mig}} + F_{\text{con}})}{(F_{\text{mig}} + \frac{F_{\text{con}}}{\alpha})} x_L. \quad (13)$$

The only unknown parameter is the migration flow F_{mig} . Therefore, the two extreme cases for a fast and a slow migration can be considered:

$$x_G = \alpha x_L \quad \text{for } F_{\text{mig}} \gg F_{\text{con}}, \quad (14)$$

$$x_G = \alpha^2 x_L \quad \text{for } F_{\text{mig}} \ll F_{\text{con}}. \quad (15)$$

Due to the active cooling, the solute concentration in the GXe volume is enhanced by a factor between α (single-stage distillation) and α^2 (two-stage distillation).

3.4 Configuration 4: Standard purification with distillation

The proof of concept for the online distillation method was verified during the commissioning of XENON1T. The campaign lasted from 11 August to 22 August 2016, in parallel with the LXe TPC commissioning and without interference with other subsystems. Several xenon samples with the concentration x_1 were taken from the PUR system to monitor the krypton-in-xenon evolution.

The detector was operated in the standard purification mode to further decrease electronegative impurities, with the difference that a xenon mixture with solute flow ($x_1 F_D$) was extracted from the PUR system and guided to the DST system. Here, the xenon was purified from the solute with an offgas loss ($F_D - F'_D$). The solute particle flow returning to the PUR system is given by ($x_D F'_D$).

As a consequence, the solute concentration at the PUR outlet is lower than in Configuration 1,

$$x_2 = \left(\frac{F_1 - F_D}{F_2} \right) x_1 + \frac{F'_D}{F_2} x_D. \quad (16)$$

An assumption is made to further simplify the equation above: The offgas flow ($F_D - F'_D$) is neglected such that $F_D = F'_D$, implying also that $F_2 = F_1$. It follows with Eq. (3) that

$$x_2 = \left(1 - \frac{F_D}{F_1} \right) \left(\frac{F_G}{F_1} x_G + \frac{F_L}{F_1} x_L \right) + \frac{F_D}{F_1} x_D. \quad (17)$$

The coupled differential equation system for Configuration 4 includes the same terms as Configuration 1. The difference is that the PUR outlet mass flow F_2 now contains a reduced solute concentration x_2 . Thus, all flows returning to the GXe and LXe volumes are also characterized by a lower solute concentration.

3.5 Configuration 5: Purification and distillation of gas volume alone

In this configuration, xenon was solely extracted from the GXe volume to test the solute removal for a decreased exchange time with respect to Configuration 4 of this volume. A first attempt of this mode on 22 August 2016 was stopped after a few hours due to a broken circulation pump. Once the pump was replaced, the main campaign was performed from 24 August to 2 September, 2016.

Since gas was only extracted from the GXe volume with particle flow ($x_G F_G$), the flow from the LXe volume was $F_L = 0$. Thus, $F_1 = F_G$ and $x_1 = x_G$. Therefore, the samples taken from

the PUR system give direct access to x_G . For the distillation, the same flow path as in Configuration 4 was used. The concentration in the PUR outlet is given by

$$x_2 = \frac{F_G - F_D}{F_2} x_1 + \frac{F'_D}{F_2} x_D. \quad (18)$$

For a negligible offgas flow ($F_D - F'_D$), it follows that $F_D = F'_D$, so that $F_2 = F_1 = F_G$:

$$x_2 = \left(1 - \frac{F_D}{F_G}\right) x_G + \frac{F_D}{F_G} x_D. \quad (19)$$

The HE is not operational in this mode as no liquid goes through it. Consequently, the returning flow from the PUR system goes fully back into the GXe volume with $F_3 = F_G$, from which it follows that $F_{\text{con}} = F_{\text{vap}}$.

Inserting the information above into Eqs. (6) and (7), one finds that the solute concentration change in the LXe volume depends only on the migration (I), condensation (II), and evaporation (III) terms, and no longer on the terms for extraction (IV) and return from HE (V). Furthermore, both equations are independent of the HE efficiency. This is different from the other configurations and makes this configuration more sensitive to F_{mig} , F_{con} , and F_{vap} .

3.6 Configuration 6: Standard purification with upgraded gas-volume-only distillation

The ultimate configuration required hardware modifications to combine Configurations 4 and 5 with the advantage of purifying both volumes from electronegative impurities, while only distilling the GXe volume as rapidly as possible. For that, a direct connection between the GXe volume and the inlet of the DST system was installed, as shown in Fig. 1.

Two short online distillation campaigns, from 28 September to 29 September, 2016 and 13 October to 14 October, 2016, were performed to verify the functionality of the final configuration. Finally, a long-term online distillation campaign was performed from 28 October to 12 December, 2016. During this operation, the total detector inventory was lowered by about 6 kg per week due to the offgas flow. As a consequence, the liquid level inside the LXe TPC decreased by 0.1 mm per week. However, the level was manually adjusted once per week to keep the impact on the LXe TPC performance negligible. Other influences on the detector operation were not observed.

In this configuration, the flow $F_D = F_G$ from the GXe volume is guided directly into the DST system and it contains the solute concentration x_G . Note that no flow from the GXe volume is going directly to the PUR inlet. In parallel, only xenon from the LXe volume flows to the inlet of the PUR system with a solute content of $x_1 = x_L$ at a flow $F_1 = F_L$. The purified xenon returns from the DST to the PUR system as shown in Fig. 1 with a solute concentration x_D and a flow F'_D . Under the assumption of a negligible offgas flow ($F_D - F'_D$) it follows that $F'_D = F_D = F_G$. Thus, the total flow at the PUR outlet is $F_2 = F_G + F_L$ and the concentration at this location can be calculated to be

$$x_2 = \frac{F_L}{F_2} x_L + \frac{F_G}{F_2} x_D. \quad (20)$$

After the PUR system outlet, the flow follows the path described for Configuration 1.

3.7 Configuration 7: Standard purification with upgraded gas-volume-only radon distillation

In addition to the online krypton distillation, two online radon distillation campaigns, from 19 December, 2016 to 26 January, 2017 and from 31 January to 2 February, 2017, were per-

formed to reduce the radon-induced background. For this operation, the same flow paths as for Configuration 6 were used with the following difference: Radon as the less volatile noble gas accumulates at the bottom of the distillation column until it decays. The radon-depleted xenon exits the top of the column and returns to the PUR system as visualized in Fig. 1. The more volatile solutes enriched at the top are therefore not influenced and can pass through the DST system unaffected. Thus, the DST system's outlet flow contains the same solute concentration x_G as the inlet. It follows that

$$x_2 = \frac{F_L}{F_2} x_L + \frac{F_G}{F_2} x_G. \quad (21)$$

More details on the online radon distillation are given in Ref. [19].

4. Krypton removal

The krypton concentration in the LXe and GXe volumes was monitored from August 2016 to February 2018 in order to observe the efficiency of the online distillation method for the different configurations as well as its evolution during the science runs. This was achieved using three different measurement methods: an on-site residual gas analyzer (RGA) system behind an LN₂-cooled coldtrap [20,21], an off-site rare gas mass spectrometer (RGMS) [22], and the electronic recoil (ER) event rate (ER rate) inside the LXe TPC itself.

The RGA system was utilized during Configurations 4 and 5 for quick and direct feedback of the krypton decrease. The samples taken during Configuration 4 contained the concentration x_1 and were a mixture of xenon extracted and evaporated from the LXe volume and xenon extracted from the GXe volume (referred to as $\hat{x}_{1,\text{RGA}}$).

The samples during Configuration 5 were extracted solely from the GXe volume (referred to as $\hat{x}_{G,\text{RGA}}$). During Configuration 6, the krypton concentrations were below the RGA sensitivity and thus no samples were measured with the RGA in this configuration.

The RGMS is capable of detecting trace amounts of natural krypton-in-xenon down to the ppq level [22]. This allowed for the determination of the krypton concentration x_L within the LXe volume throughout the full time period investigated, including commissioning and science runs SR0 [23] and SR1 [17]. For the extraction of the samples (referred to as $\hat{x}_{L,\text{RGMS}}$), the detector operation was switched to Configuration 2, where xenon was extracted and evaporated solely from the LXe volume. Additionally, on 25 May, 2017, one sample with concentration x_1 was extracted during Configuration 1 (referred to as $\hat{x}_{1,\text{RGMS}}$).

The ER event rate (referred to as $\hat{x}_{L,\text{ER}}$) data from the LXe TPC gave the most precise insight into the krypton evolution in the LXe volume as the krypton beta decay rate is proportional to the number of krypton atoms. Before the online distillation, the krypton concentration was on the order of ppb such that the overall detector event rate at energies up to 200 keV was dominated by krypton beta events. Several selection criteria were applied to obtain the rate in a core volume of about 725 kg. Days with low statistics or unstable detector conditions were also neglected. Further details are presented in Ref. [19].

In Fig. 3, the resulting ER rate between August 2016 and February 2017 is visualized in blue along with the absolute krypton-in-xenon concentrations obtained from the RGMS data in red. The different online krypton distillation campaigns are shaded in light gray, indicating the time periods when krypton was being removed from the system. The online radon distillation campaign, shaded in dark gray, reduced the ER rate by another 20%, but it had no impact on the krypton concentration. The details of this operation are discussed in Ref. [19]. The first

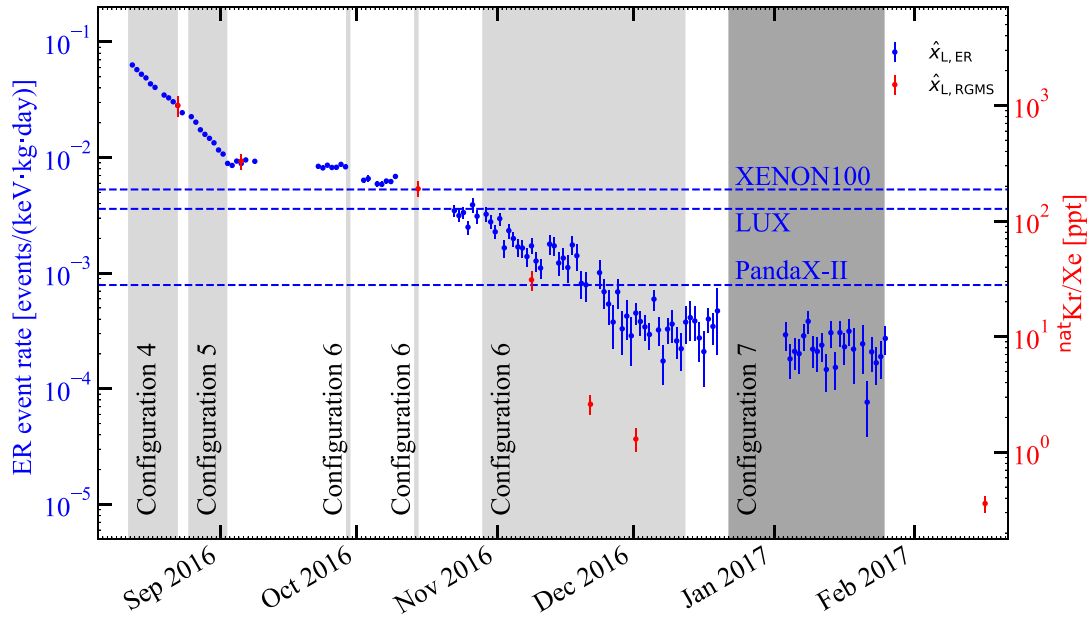


Fig. 3. ER event rate during online distillation campaigns in XENON1T. The ER event rate $\hat{x}_{L,ER}$ (blue) between August 2016 and February 2017 was reduced by online krypton distillation campaigns (light gray shaded area) using Configurations 4, 5, and 6. The ER event rate was further reduced by an online radon distillation campaign (dark gray shaded area) by applying Configuration 7. Absolute krypton-in-xenon measurements $\hat{x}_{L,RGMS}$ with the RGMS are illustrated in red. Note that the online radon distillation had no impact on the krypton concentration. Figure based on Ref. [19].

RGMS data point was taken in the krypton-dominated period and was matched to the event rate. This scaling was used to convert all event rate data to equivalent krypton concentrations for the purpose of fitting the model. For comparison, the ER rates of other liquid-xenon-based dark matter experiments such as XENON100 [24], LUX [25], and PandaX-II [26] are shown. Among them, XENON1T reached the lowest background to date with the help of the online distillation method.

Configurations 4 and 5 efficiently reduced the krypton concentration inside the LXe TPC as indicated by both the event rate and the RGMS data. After the two short tests with Configuration 6, where no large reduction can be observed, the RGMS samples still matched the event rate. During the long-term online distillation campaign with Configuration 6, the event rate starts to level off around December 2016, while the RGMS data points reveal a further absolute krypton concentration decrease. This is a clear indication that krypton is no longer the dominant ER background source. Therefore, the event rate cannot be further applied as a krypton monitoring tool starting from February 2017. The lowest krypton concentration ever documented in a xenon-based detector is (360 ± 60) ppq, measured in XENON1T with the xenon sample from 16 February, 2017. This value was sufficiently low for XENON1T, as krypton was reduced to a subdominant ER source.

In the following, the model derived in Sect. 3 is fitted to the absolute krypton concentrations from the different methods mentioned above. For the different configurations, the values of $F_G(t)$, $F_L(t)$, $F_D(t)$, $\epsilon_{HE} = 0.975$, and $F_{con}(t)$ are derived from slow control parameters and thus are defined at all times. These variables are used as inputs for the model; a summary of typical values is given in Table 2.

Table 2. Typical flow values for a given configuration calculated from slow control parameters. All flows are given in [kg/d].

Name	F_G	F_L	F_{con}	F_D	F_1	F_2	F_3	F_4	F_5
C1	32	372	105	0	404	404	32	9	363
C2	0	407	105	0	407	407	16	0	391
C3	0	0	100	0	0	0	0	0	0
C4	32	323	106	61	355	355	32	8	315
C5	186	0	109	61	186	186	186	0	0
C6	32	416	110	32	416	448	32	10	406
C7	32	405	109	32	405	437	32	10	395

After the re-condensation by the PTR, an unknown amount of xenon evaporates while travelling through the cryopipe before reaching the LXe volume in the cryostat. Thus, the values obtained for $F_{\text{con}}(t)$ represent only an upper limit of the condensed flow; a free fit parameter $0 < \epsilon_{\text{con}} \leq 1$ was defined to fit the data with a scaled-down condensed flow ($\epsilon_{\text{con}} F_{\text{con}}(t)$). This also affects the size of the evaporation flow $F_{\text{vap}}(t)$ that is calculated from $F_{\text{con}}(t)$. The relative volatility is fixed to $\alpha = 10.5$ (at -98°C [27]) in all parts of the model, except for the HE. The enrichment in the HE is unknown, and therefore the variable α_{HE} is a free fit parameter. The masses in the two volumes are initially fixed to $M_G = 21.5$ kg and $M_L = 3190$ kg, respectively. In the case of the LXe volume, M_L subsequently decreases during online krypton distillation campaigns due to the offgas flow ($F_D - F'_D$) that is derived from slow control. Given the large separation factor with verified outlet concentrations below 48 ppq [10], it is assumed that no krypton leaves the distillation system's purified outlet ($x_D = 0$). One unknown parameter is the migration flow F_{mig} accounting for the migration effect in a static LXe volume with GXe phase above, away from equilibrium. That is fitted as well. Another free fit parameter is the krypton source term k_S to account for the krypton increase in the system after the last online distillation campaign. Furthermore, a constant background c_{bg} is introduced as a free parameter to take the flattening of the ER rate during the long-term operation in Configuration 6 into account. With that, the ER data points are fitted to

$$x_{\text{L,ER}}(t) = x_{\text{L}}(t) + c_{\text{bg}}. \quad (22)$$

All fit parameters are assumed to be time independent.

At $t = 0$, the detector is assumed to be in krypton particle equilibrium during Configuration 1. Consequently, the change of krypton in the GXe as well as LXe is $(dx_G/dt)|_{t=0} = (dx_L/dt)|_{t=0} = 0$. The starting concentration in the liquid $x_{\text{L},0}$ is a free fit parameter. By solving Eq. (6), the corresponding krypton concentration $x_{\text{G},0}$ in the GXe can be calculated [19].

In order to infer the set of parameters which best describes the data, we construct for each quantity we measure ($\hat{x}_{\text{G,RGA}}$, $\hat{x}_{\text{L,RGMS}}$, $\hat{x}_{\text{L,ER}}$, $\hat{x}_{\text{1,RGA}}$, $\hat{x}_{\text{1,RGMS}}$) a likelihood term which we combine into a final likelihood used for inference. This means that the fitting routine minimizes the model prediction with respect to the data points. For example, x_G is compared with $\hat{x}_{\text{G,RGA}}$, x_L with $\hat{x}_{\text{L,RGMS}}$, $x_{\text{L,ER}}$ with $\hat{x}_{\text{L,ER}}$, and x_1 with $\hat{x}_{\text{1,RGA}}$ as well as $\hat{x}_{\text{1,RGMS}}$. The optimization is implemented as a χ^2 -minimization with iMinuit [28,29] to obtain the set of best-fit parameters shown in Table 3. The corresponding model and data points are depicted in Fig. 4. For a better overview, the results are divided into different time intervals including the relevant data and fit curves for each interval. The normalized residuals are shown below each plot.

Table 3. Fit results for the online krypton distillation model.

Parameter	Result
$x_{L,0}$	(2016 ± 20) ppt
F_{mig}	(8.9 ± 0.3) kg/d
ϵ_{con}	0.31 ± 0.01
c_{bg}	(12.2 ± 0.9) ppt
k_S	$(10.4 \pm 0.7) \times 10^{-12}$ kg/d
α_{HE}	$>1.45 \times 10^4$ 90% C.L.)
χ^2 / NDF	605 / 133

The initial krypton concentration $x_{L,0}$ in the LXe volume allows the calculation of the related concentration within the GXe volume: $x_{G,0} = 1.3 \times 10^5$ ppt. The ratio between both phases yields an enhancement in the GXe volume by a factor of 64, about 6 times larger than the relative volatility $\alpha = 10.5$. As shown in Eqs. (14) and (15), an enhancement factor between α (single-stage distillation) and α^2 (two-stage distillation) is expected in the GXe volume.

The fitted factor ϵ_{con} to scale F_{con} , and by that also F_{vap} , is correlated with F_{mig} . Both ϵ_{con} and F_{mig} contribute to terms in Eqs. (6) and (7) that allow the krypton to move into the GXe volume. Our data does not allow us to differentiate the two processes, as explained in Sect. 3. However, from the best-fit result, the migration flow of F_{mig} is the lowest with respect to the other flows used in the model. As discussed in more detail in Ref. [19], the evaporation flow F_{vap} and the extraction flow F_L seem to be the main drivers of the krypton removal from the LXe volume.

The background c_{bg} in units of krypton concentration can be interpreted as the radon contribution to the ER rate in XENON1T, and can be converted to a ^{222}Rn activity concentration of (13.5 ± 2.6) $\mu\text{Bq/kg}$ [19]. This is in agreement with the value of (13.6 ± 0.9) $\mu\text{Bq/kg}$ in XENON1T during December 2016 from independent in situ α -spectroscopy [30]. The source term k_S can be attributed either to external leaks or to desorption from internal detector materials. The obtained value would correspond to an air leak rate of $k_{\text{air}} = (2.9 \pm 0.2) \times 10^{-5}$ (mbar \times l)/s, assuming a krypton air fraction of 1.14×10^{-6} vol/vol [31]. As the global XENON1T system was leak-checked to be below 1×10^{-8} (mbar \times l)/s, the rate seems to be too high to originate from external leaks. The amount of residual air trapped in PTFE detector components is inferred in E. Aprile et al. [XENON Collaboration] (in preparation) from the rate of oxygen desorbing from their surfaces. The desorption rate is derived from a time-series fit to the electron lifetime, which is inversely proportional to the concentration of oxygen in the LXe volume. The result is compatible with the source term k_S found in this work, assuming a krypton air fraction as stated above, implying that desorption of krypton from PTFE is a measurable background source. This finding shows that the pumping time prior to xenon filling crucially impacts the krypton-in-xenon concentration after the krypton removal. It further shows that relying on the conventional offline krypton removal techniques is risky. This risk can be fully avoided by applying the online distillation.

The enrichment factor α_{HE} in the HE is constrained to be much larger than the relative volatility α , meaning that basically all krypton entering the HE returns to the GXe volume of the cryostat. This is mainly due to the Configuration 4 data, where measurements from the GXe and LXe volumes are available, whereas the HE is not operational during Configuration 5. The

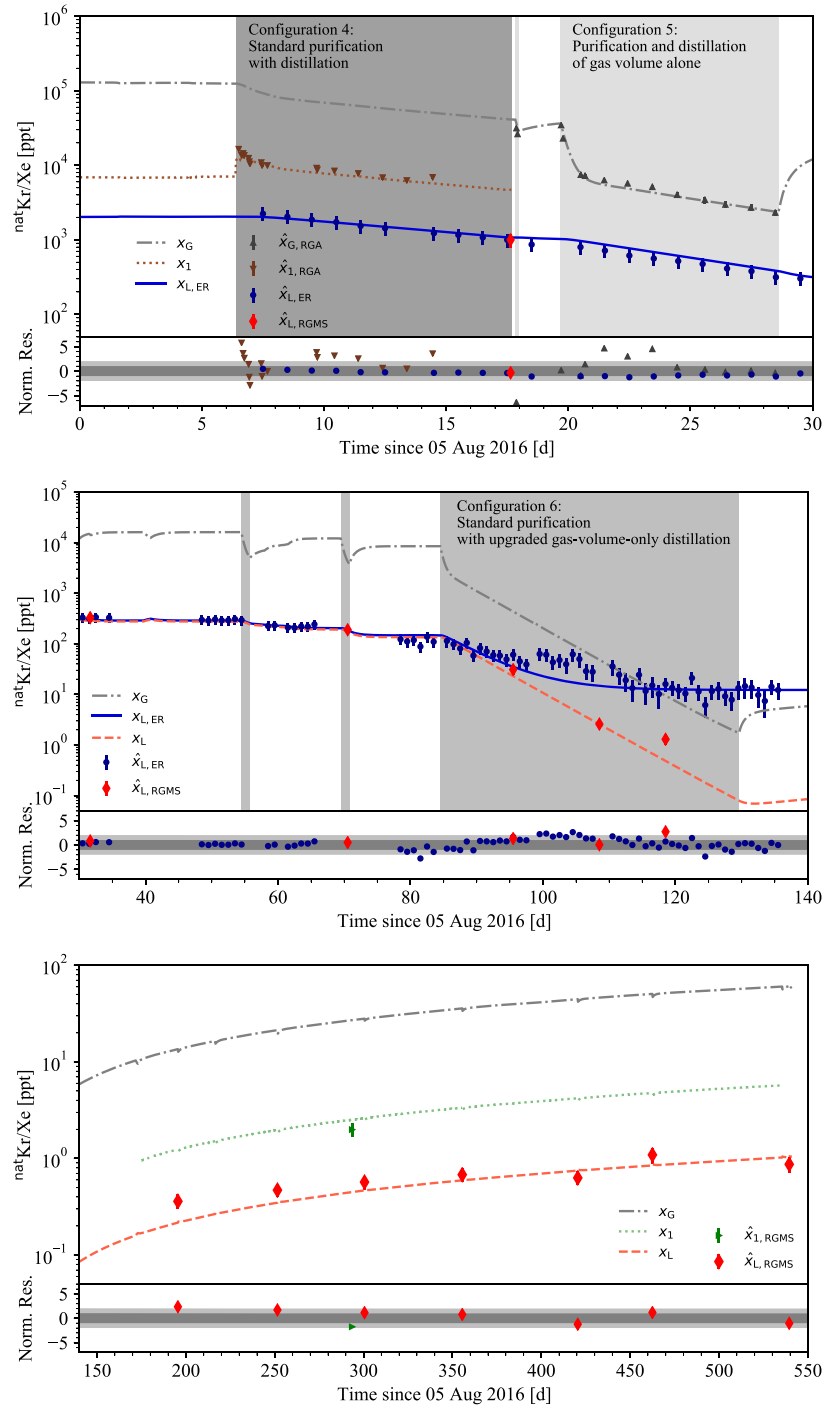


Fig. 4. Fit online distillation model to krypton data. The fit curves are labeled as x_i , while the different measurements are denoted by \hat{x}_i . The fit results are presented in three panels. Normalized residuals are shown in the bottom of each panel. The gray bands visualize the 1σ and 2σ deviations.

large α_{HE} could be due to unmodeled systematics in these measurements, or a true enhancement in the GXe solute concentration in the HE. Since the xenon flow in the HE is unidirectional, in contrast to the other volumes, the high krypton vapor pressure may make it difficult for krypton particles to enter the LXe from the GXe, leading to an enhancement as the xenon repeatedly

Table 4. Comparison of the different online distillation configurations.

Name	Duration [d]	τ_{eff} [d]	Reduction factor in LXe volume
C4	11.3	15.3	1.9
C5	8.9	8.7	2.7
C6	45.1	6.0	1.71×10^3

condenses and liquifies along its path back to the cryostat, especially across the large surface in the tube-in-tube heat exchanger section.

Figure 4 (top) shows the time period from $t = 0$ d (5 August, 2016) until $t = 30$ d including Configuration 4 (dark gray) and Configuration 5 (light gray).

Figure 4 (middle) contains the time period $t = 30$ d until $t = 140$ d. The two thin shaded areas correspond to the short test operations using Configuration 6, while the wide shaded area represents the long term distillation in this configuration. According to the model, the minimum krypton concentration reached inside the LXe TPC was $x_{\text{L},\text{min}} = 80$ ppq at $t = 137$ d. The corresponding concentration in the GXe volume was calculated to be $x_{\text{G}}(t = 137 \text{ d}) = 5.3$ ppt, a factor of 66 larger than in the LXe volume, as also observed during Configuration 1 at the beginning of the time period investigated. Due to the source term k_{S} , this unprecedented low concentration could not be maintained. The effective time constants τ_{eff} for the exponential decrease of x_{L} are computed for the different online distillation configurations and are compared in Table 4 along with the reduction achieved in the LXe volume for the given duration. One finds that Configuration 6 is the most efficient configuration, as expected.

Figure 4 (bottom) illustrates the time period from $t = 140$ d until $t = 550$ d (6 February, 2018). Compared to the minimum concentration, krypton increased by a factor of 13.5 to $x_{\text{L}}(t = 550 \text{ d}) = 1$ ppt.

Some time periods show a systematic mismatch between the model and data, indicating unmodeled effects and leading to a large (χ^2 / NDF) value. Given the complexity of the system and the variation of detector conditions over the time span of 550 d, the model described the data adequately overall.

5. Argon removal

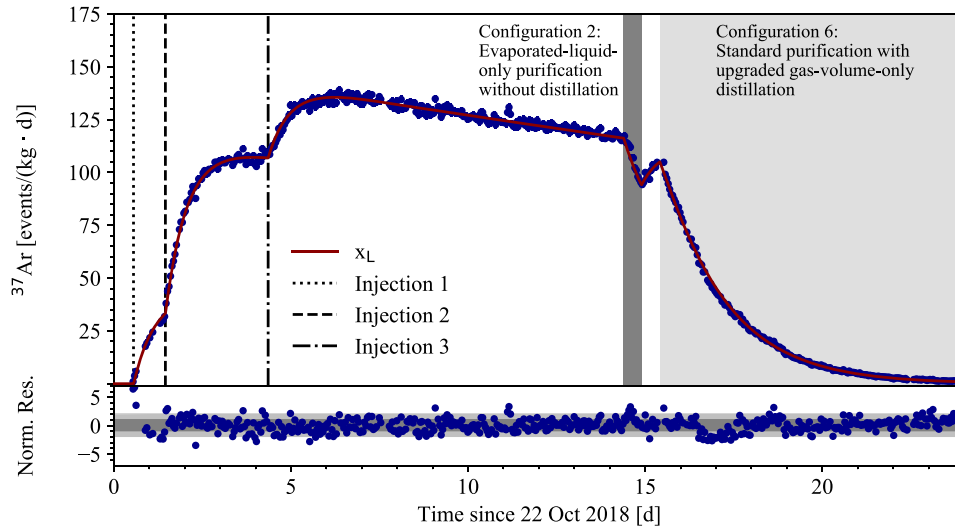
A gaseous ^{37}Ar source was deployed in XENON1T in October 2018 before its decommissioning (E. Aprile et al. [XENON Collaboration], in preparation), allowing for a calibration down to energies of 2.8 keV and 0.27 keV via electron capture [15].

At its critical temperature of -123°C , argon features a vapor pressure of about 50 bar [27]. At the LXe temperature of -96°C , the argon vapor pressure is not defined. Therefore, the relative volatility is assumed to be $\alpha_{\text{Ar}} > 25$ for a xenon pressure of 2 bar. The larger volatility with respect to krypton should make the online distillation more efficient, i.e. reducing ^{37}Ar with a faster effective time constant than krypton.

The ^{37}Ar event rate evolution in the LXe volume is fitted with the online distillation model of this work including the time periods of the injection, the calibration, as well as the removal. Configurations 1, 2, and 6 were used during the ^{37}Ar calibration campaign. In order to apply the model to the argon data, small modifications need to be done to the coupled differential equations in Eqs. (6) and (7) for the different configurations.

Table 5. Fit results for the online argon distillation model.

Parameter	Result
F_{mig}	(5.3 ± 0.3) kg/d
α_{Ar}	50.9 ± 0.2
A_{inject1}	(2.6 ± 0.1) Bq
A_{inject2}	(4.3 ± 0.1) Bq
A_{inject3}	(2.1 ± 0.1) Bq
χ^2 / NDF	766/513

**Fig. 5.** Fit online distillation model to argon data. Three ^{37}Ar injections into the GXe volume led to an increase in ^{37}Ar events inside the LXe volume. The event evolution during Configuration 1 (white), a short period of Configuration 2 (dark gray), and Configuration 6 (light gray) is described by x_L .

First, the relative volatility was changed to a fit parameter with $\alpha_{\text{Ar}} > 25$ since argon is supercritical at LXe temperature, and the source term k_S was set to zero. Second, in contrast to ^{85}Kr , the reduction of the event rate due to the radioactive decay of ^{37}Ar needs to be taken into account. Therefore, the terms $(-\lambda_{\text{Ar}37}x_G)$ and $(-\lambda_{\text{Ar}37}x_L)$ with $\lambda_{\text{Ar}37} = 0.01980 \text{ d}^{-1}$ are added to the equations for GXe and LXe, respectively. The parameter ϵ_{con} was fixed to 0.31 as taken from the krypton removal fit to reduce the number of free parameters, since it is anyway strongly correlated with the migration flow F_{mig} and the relative volatility α_{Ar} .

The gaseous source was added to the PUR system during Configuration 1. In total, three ^{37}Ar injections were done during the calibration campaign. For simplicity, each injection in this model is added directly into the GXe volume as a delta peak $+k_{\text{inject}}$ for its given injection time.

The results of the fit are summarized in Table 5, where the injections into the GXe volume were directly transformed into an activity A_{inject} for better readability. The evolution of the ^{37}Ar event rate in the LXe volume and the corresponding fit curve x_L are plotted in Fig. 5. The corresponding evolution for the GXe volume x_G was omitted for better visualization. The ratio x_G/x_L shows an ^{37}Ar enrichment in the GXe volume by a factor 100 during Configuration 1,

larger than the fitted value for α_{Ar} . This behavior was also observed in the krypton case, and is expected from the discussions in Sect. 3.

The migration flow F_{mig} and the relative volatility α_{Ar} are part of the migration term in the differential equations, and thus are correlated. Therefore, a comparison of the migration flow with the case of krypton is not possible. Furthermore, the model can effectively describe the argon evolution, but cannot be used to precisely measure the relative volatility for argon in xenon since the global system is too complex and not designed for such a measurement.

The effective time constant for the ^{37}Ar decrease during the online distillation campaign is $\tau_{\text{eff,Ar}} = 1.7$ d and shows an efficient reduction within two weeks. This makes it possible to consider ^{37}Ar as a regular calibration source for multi-tonne xenon detectors such as XENONnT, LZ, PandaX-4T, and DARWIN.

In the case of XENONnT, the main xenon handling infrastructure relevant for the online distillation method stays the same, with the addition of an LXe purification system. The GXe volume mass remains about 20 kg, while the LXe volume mass is three times larger than in XENON1T. The external heat input is also expected to be about three times larger, and scales with the larger surface of the XENONnT cryostat. Thus, the time constant of the evaporation term, one of the main drivers of the solute transport, is expected to be similar in XENONnT. The extraction flow F_L , the other main driver, remains the same, and thus its time constant is larger, resulting in a slower overall removal in XENONnT. However, the new LXe purification system extracts large flows of xenon of about 2 LPM directly in liquid form from the cryostat. Unless the returning LXe is sub-cooled through other means, the net effect would be an additional heat input to the cryostat. This could result in enhanced transport of lighter components from the LXe to the GXe volume by xenon evaporation, yielding a boost in the removal time constant. The size of this effect cannot be estimated, but will be further investigated in XENONnT.

6. Conclusion

A novel online distillation technique was developed for the XENON1T experiment to reduce more volatile intrinsic noble gases inside the LXe TPC during its normal operation. The method is based on a continuous distillation of the gaseous xenon volume of the detector with the help of the XENON1T cryogenic distillation column. The main focus was to lower the krypton-in-xenon concentration for the first XENON1T science run. A confirmed concentration of (360 ± 60) ppq in the liquid xenon detection volume was achieved, the lowest measured in a dark matter detector to date. The online distillation was stopped as soon as krypton was a negligible background with respect to radon, but before reaching its limits.

In addition, the online distillation method was applied to reduce ^{37}Ar after it was deployed as a calibration source for low energies down to 2.8 keV. Usually, the ^{37}Ar half-life of 35.01 d is too long for regular use of this source. However, the online distillation reduced the ^{37}Ar event rate inside the LXe TPC back to a negligible level within two weeks.

An online distillation model was developed to describe several detector configurations based on coupled differential equations for the krypton-in-xenon concentrations within the detector's LXe and GXe volumes. The krypton time evolution in the system was monitored via the event rate within the LXe TPC itself, as well as via several extracted xenon samples. The model was successfully fitted to the data over a time span of 550 days, including the commissioning, science

run 0, and science run 1 of XENON1T. The knowledge gained regarding the krypton transport inside the different xenon-handling subsystems helps the development of future experiments.

With small adaptations due to the properties of argon, such as a higher volatility compared to krypton, the online distillation model was validated by successfully fitting the ^{37}Ar induced event rate evolution in the LXe volume.

Whenever an online distillation is performed, a small offgas flow needs to be removed from the distillation system, and thus from the global system. This xenon loss needs to be balanced by over-filling (re-filling) the detector directly via the distillation column before (after) the operation. In future applications, this process can be optimized and automated to keep the xenon mass in the global system constant by supplying additional xenon from the storage system to the DST system's inlet. Other influences on the LXe TPC performance were not observed.

In summary, the online distillation method can be applied at any time during the lifetime of an experiment, either to reduce impurities after initial detector filling or after accidental leaks due to handling errors or hardware failures, or to remove more volatile noble gas calibration sources. Since the concept was proven for argon and krypton, helium and neon should also be efficiently removed.

Acknowledgments

We gratefully acknowledge support from the National Science Foundation, Swiss National Science Foundation, German Ministry for Education and Research, Max Planck Gesellschaft, Deutsche Forschungsgemeinschaft, Helmholtz Association, Dutch Research Council (NWO), Weizmann Institute of Science, Israeli Science Foundation, Fundacao para a Ciencia e a Tecnologia, Région des Pays de la Loire, Knut and Alice Wallenberg Foundation, Kavli Foundation, JSPS Kakenhi in Japan, and Istituto Nazionale di Fisica Nucleare. This project has received funding/support from the European Union's Horizon 2020 research and innovation program under Marie Skłodowska-Curie grant agreement No. 860881-HIDDeN. Data processing is performed using infrastructures from the Open Science Grid, the European Grid Initiative and the Dutch national e-infrastructure with the support of the SURF Cooperative. We are grateful to Laboratori Nazionali del Gran Sasso for hosting and supporting the XENON project.

References

- [1] E. Aprile et al. [XENON Collaboration], *Eur. Phys. J. C*, **77**, 881 (2017).
- [2] E. Aprile et al. [XENON Collaboration], *J. Cosmol. Astropart. Phys.*, **2020**, 031 (2020).
- [3] D. S. Akerib et al. [LZ Collaboration], *Nucl. Instrum. Methods. Phys. Res. A*, **953**, 163047 (2020).
- [4] H. Zhang et al. [PandaX Collaboration], *Sci. China Phys. Mech. Astron.*, **62**, 31011 (2019).
- [5] J. Aalbers et al. [DARWIN Collaboration], *J. Cosmol. Astropart. Phys.*, **2016**, 017 (2016).
- [6] J. B. Albert et al. [nEXO Collaboration], *Phys. Rev. C*, **97**, 065503 (2018).
- [7] V. Alvarez et al. [NEXT Collaboration], *JINST*, **7**, T06001 (2012).
- [8] K. Abe et al. [XMASS Collaboration], *Astropart. Phys.*, **31**, 290 (2009).
- [9] Z. Wang et al., *Rev. Sci. Instrum.*, **85**, 015116 (2014).
- [10] E. Aprile et al. [XENON Collaboration], *Eur. Phys. J. C*, **77**, 275 (2017).
- [11] S. Bruenner et al., *Eur. Phys. J. C*, **77**, 143 (2017).
- [12] E. Aprile et al. [XENON Collaboration], *Eur. Phys. J. C*, **77**, 358 (2017).
- [13] X. Du et al., *Geophys. Res. Lett.*, **30**, 2068 (2003).
- [14] D. S. Akerib et al. [LUX Collaboration], *Astropart. Phys.*, **97**, 80 (2018).
- [15] M. M. Bé et al., *Table of Radionuclides*, vol. 7 (Bureau International des Poids et Mesures, Sèvres, 2013).

- [16] E. Aprile et al. [XENON Collaboration], JINST, **9**, P11006 (2014).
- [17] E. Aprile et al. [XENON Collaboration], Phys. Rev. Lett., **121**, 111302 (2018).
- [18] W. McCabe, J. Smith, and P. Harriott, Unit Operations of Chemical Engineering (McGraw-Hill, New York, 2005).
- [19] M. Murra, PhD thesis, WWU Münster (2019).
- [20] E. Brown et al., JINST, **8**, P02011 (2013).
- [21] A. Fieguth, Master's thesis, WWU Münster (2014).
- [22] S. Lindemann and H. Simgen, Eur. Phys. J. C, **74**, 2746 (2014).
- [23] E. Aprile et al. [XENON Collaboration], Phys. Rev. Lett., **119**, 181301 (2017).
- [24] E. Aprile et al. [XENON Collaboration], Phys. Rev. D, **94**, 122001 (2016).
- [25] D. S. Akerib et al. [LUX Collaboration], Phys. Rev. Lett., **112**, 091303 (2014).
- [26] X. Cui et al. [PandaX Collaboration], Phys. Rev. Lett., **119**, 181302 (2017).
- [27] National Institute of Standards and Technology (2022) (available at: <https://www.nist.gov>, date last accessed May 2, 2022).
- [28] H. Dembinski and P. Ongmongkolkul, Jupyter-friendly Python interface for C++ MINUIT2 (2022) (available at: <https://github.com/scikit-hep/iminuit>, date last accessed May 2, 2022).
- [29] F. James and M. Roos, Comput. Phys. Commun., **10**, 343 (1975).
- [30] E. Aprile et al. [XENON Collaboration], Eur. Phys. J. C, **81**, 337 (2021).
- [31] Air Liquide, Krypton (2022) (available at: <https://www.encyclopedia.airliquide.com/krypton>, date last accessed May 2, 2022).